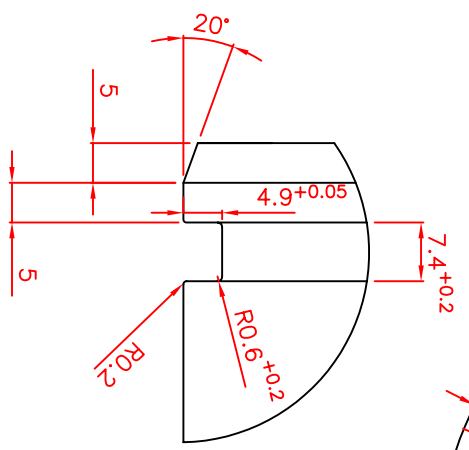


SEC. A-A



Detail A  
1:1

Designed	Date	Name	Project:	HP400ton
Drawn	15.04.87	Vahabzade	Sub-Project:	Cylinder 200ton
Checked			Ref. Code:	
Approved				

Drawing title:		Drawing No.:	
a <sub>5</sub> (1pieces)		Ordered by:	
		Matl.	
		Std.	

Scale:	Sheet:	Allowed deviations on dimensions without tol. indications acc. to:	Rev. date:	Rev.:
1:5	1	ISO 2768-mk		5



چون ریختگی