

Pressure switch with one adjustable change-over switch

Superior conception

Piston type pressure switch with one change-over switch, easily adjustable over the entire pressure range, with scale for presetting of the pressure switching point.



BIERI
Hydraulik

Real Swiss quality

Designed for rough operating conditions, insensitive to hydraulic overloads, specially developed piston seal, housing made of anodized light metal alloy, degree of protection IP 64, with instrument plug according DIN 43650.

Easy to install

Ideal overall dimensions, can be mounted in any operation position, turnable under full pressure around the longitudinal axis, instrument plug turnable by 4x 90°.

Universal application

7 pressure ranges for the optimal adaptation to any operating pressure, suitable for mineral oils (HLP-oils according DIN 51524), other mediums on request.

Damping

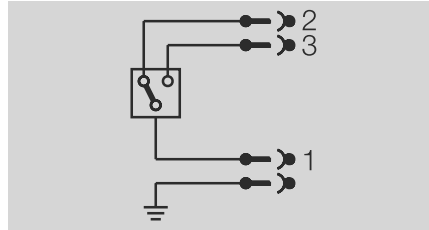
For the protection of the pressure switch we recommend the installation of a damping element as for example a throttle screw with double fitting according to the table below.

Type	Pressure up to bar	Overload max. bar	Double fitting G 1/4" – G 1/4" part no. 36796		Double fitting G 1/2" – G 1/4" part no. 33222	
			Throttle screw part no.	mm	Throttle screw part no.	mm
DV7. 60.33006	60	130	42355	0.5	23848	0.5
DV7. 100.33010	100	360	42355	0.5	23848	0.5
DV7. 180.33018	180	360	42355	0.5	23848	0.5
DV7. 250.33025	250	500	42355	0.5	23848	0.5
DV7. 400.33040	400	800	42352	0.2	21063	0.2
DV7. 600.33060	600	1200	42352	0.2	21063	0.2
DV7. 1000.33100	1000	1200	42352	0.2	21063	0.2

Pressure switch with one adjustable change-over switch

Wiring diagramme

Application in explosion endangered rooms is possible, provided an explosion-proof relays is connected in series.



Electrical switching capacity

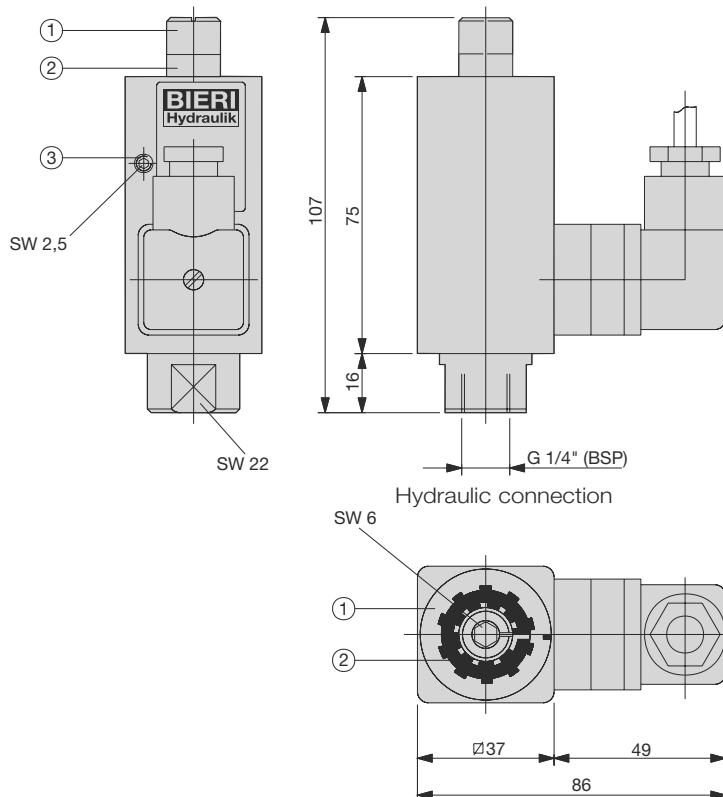
	ohm. load	ind. load
250 VAC	10 A	2 A
250 VDC	0,35 A	0,2 A
125 VDC	0,4 A	0,25 A
48 VDC	1,2 A	0,7 A
30 VDC	4 A	2 A
24 VDC	10 A	4 A

General information

Switching hysteresis of the scale end value	5–10%
Repeat accuracy of the scale value	1%
Degree of protection	IP 64
Class of insulation	I
Standard	EN 60529

Setting of the switching point

- ① Bright scale-/spindle part.
 - ② Dark scale-/spindle part.
 - ③ Spindle locking.
- Loosen the spindle locking ③.
 - Combine the dark scale part ② with the dark spindle part ② for lower pressure setting and the bright scale part ① with the bright spindle part ① for upper pressure setting.
 - Tighten the spindle locking ③.



Bieri Hydraulik AG

Könizstrasse 274
CH-3097 Liebefeld/Switzerland

Telephone +41 31 970 09 09
Fax +41 31 970 09 10
sales@bierihydraulik.com

Design and data subject to modification